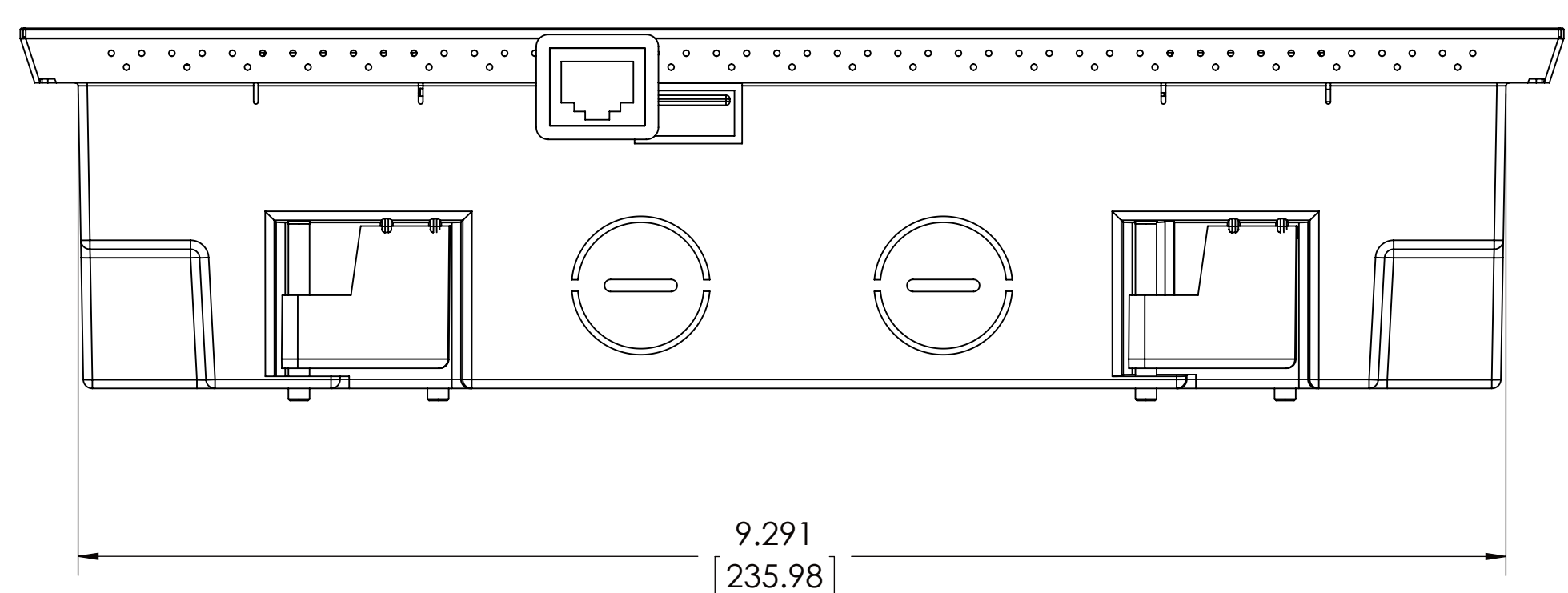
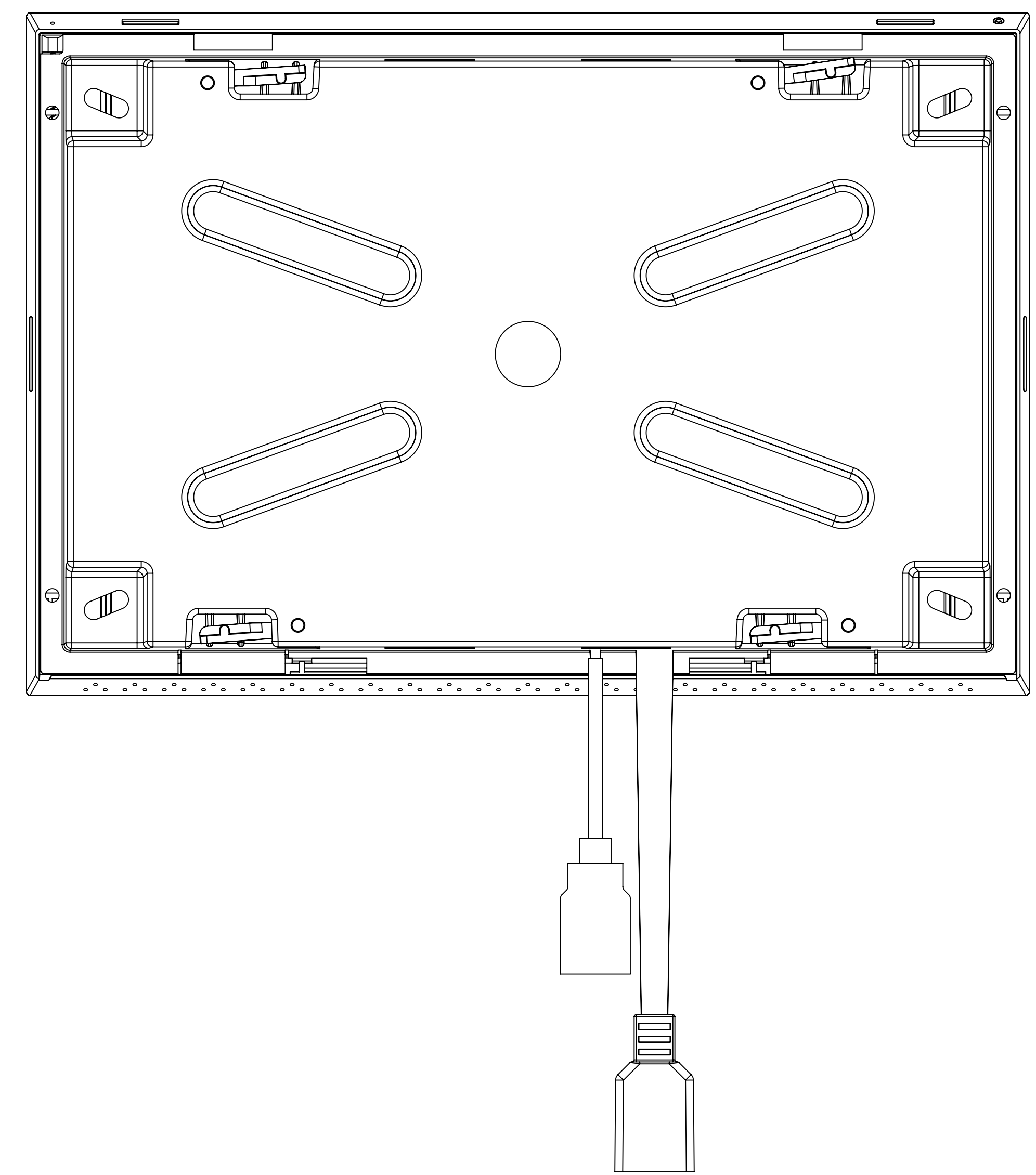
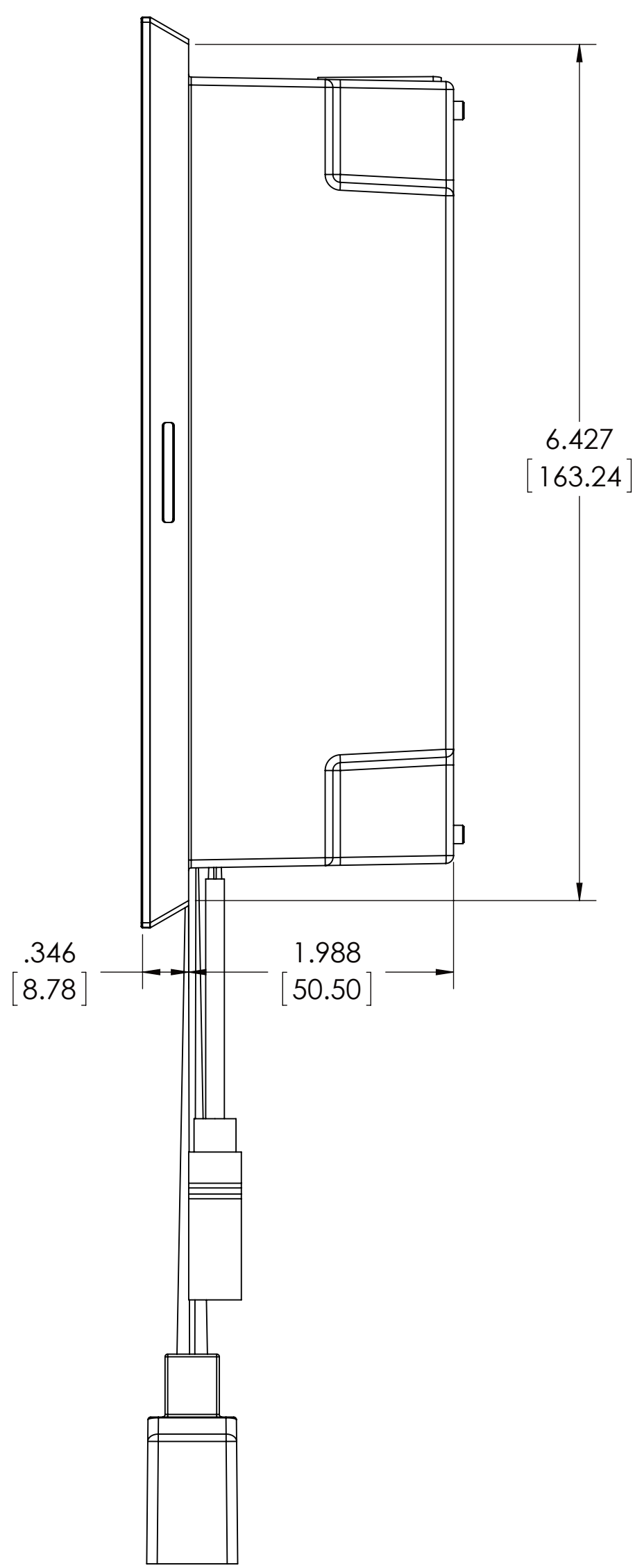
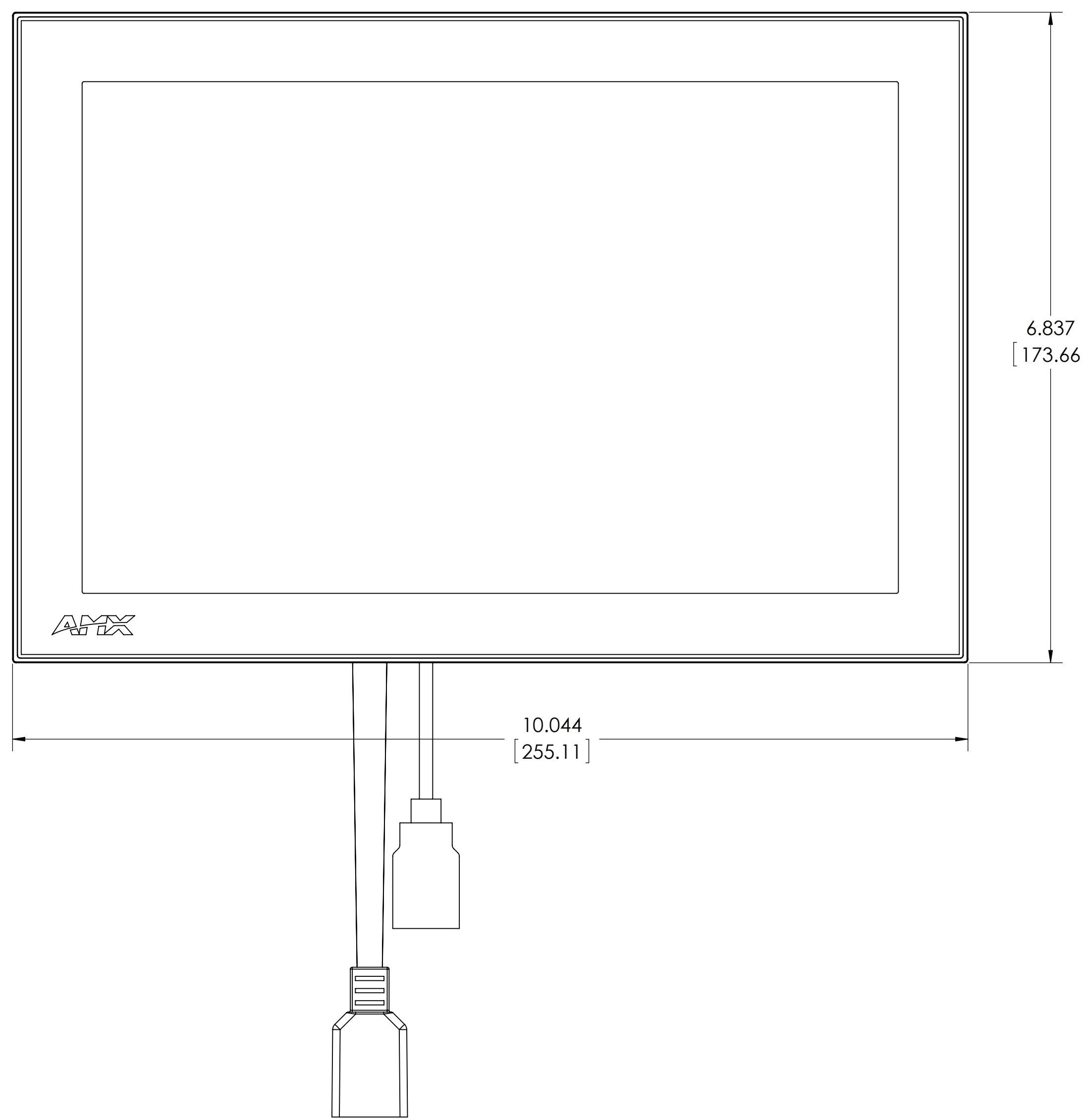
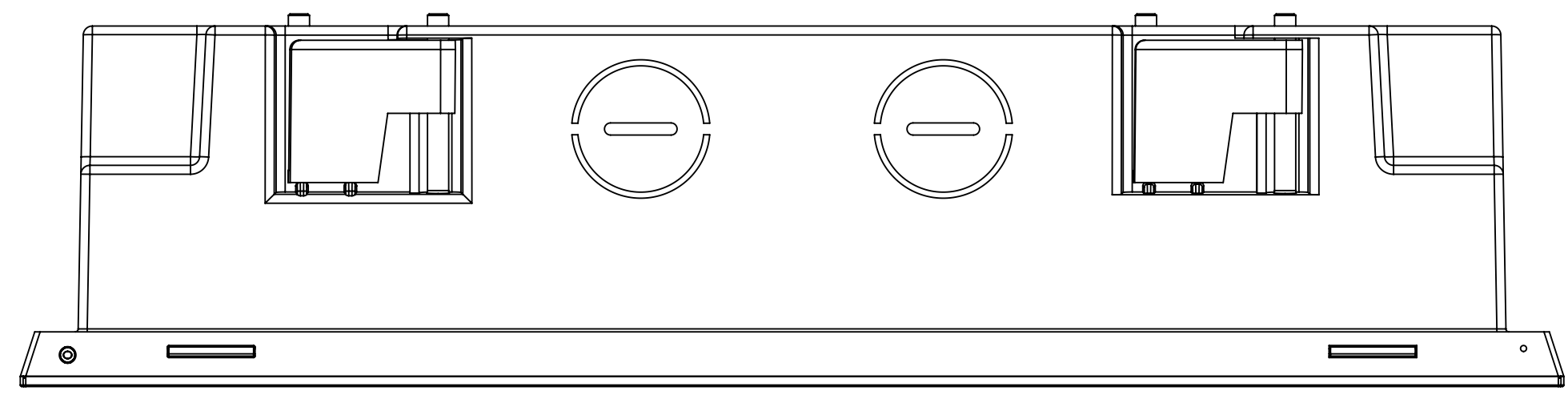


A B C D E F G H

REVISIONS				
REV	ECN	DESCRIPTION	DATE	APPROVED
A	24614	INITIAL RELEASE	02/03/16	P. LE

NOTES: UNLESS OTHERWISE SPECIFIED
1. DIMENSIONS IN [] ARE IN MILLIMETERS



UNLESS OTHERWISE STATED, THE ARTICLE SPECIFIED SHALL BE RoHS COMPLIANT PER EU DIRECTIVE 2002/95/EC

NOTICE: This drawing is the property of AMX LLC. All information contained herein that is not generally known shall be confidential except to the extent the information has been previously established. This drawing may not be copied, reproduced, or used as the basis for manufacture or sale without written permission.

UNLESS OTHERWISE SPECIFIED
TOLERANCE ON DECIMAL DIMENSIONS: .X = ± 0.1
.XX = ± 0.01
.XXX = ± 0.005
ANGLES = ± 0.5°
SURFACE FLATNESS .003 TIR PER LINEAR INCH
ALL DIMENSIONS ARE IN INCHES
DO NOT SCALE DRAWING
THIRD ANGLE PROJECTION

AMX		AMX LLC 3000 RESEARCH DRIVE RICHARDSON, TX 75082
PICTORAL DRAWING, ENG ASSY, RMBK-1001, 10.1 LANDSCAPE WALL TOUCH PANEL		
SIZE D	DWG. NO. 95-2265-40	REV. A
SCALE 1:1	SHEET 1 of 1	

A B C D E F G H