

Exterior 400 Image Projector™ Anti-humidity Sachet Installation Note

Each time the Exterior 400 Image Projector™ is opened for service, or to clear excess humidity at any time, the silica gel anti-humidity sachet fastened to the effect module inside the fixture must be removed and a new item fastened in its place. The anti-humidity sachet must be installed and the fixture closed within 20 minutes of opening the aluminum bag holding the new sachet.

New anti-humidity sachets are available from Martin™ by ordering “Silica Gel anti-humidity sachet incl. 8% indicator, P/N 37220000”.

To install an anti-humidity sachet:

1. If the fixture has been in use, allow it to cool for at least 30 minutes.

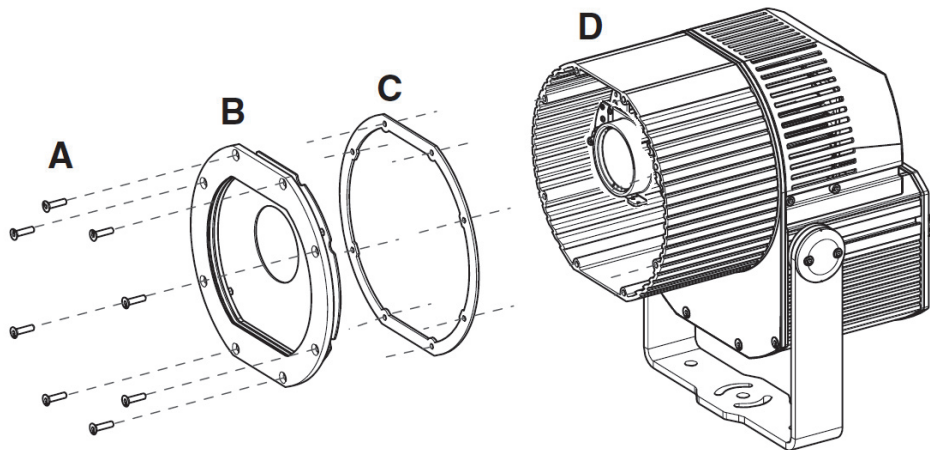


Figure 1: Removing the front cover

2. Tilt the fixture back and rest it on a piece of cloth, for example, so that it is held securely and the front cover is facing upwards.
3. See Figure 1. Remove the eight Allen screws **A** that hold the front cover **B**, then remove the front cover **B** and front cover seal **C** from the fixture housing **D**.
4. Remove any dirt from the seal and mating surfaces with a cloth and water. Check the condition of the seal and its spacer rings. Replace the seal if it is not in perfect condition or if any of the spacer rings are missing.

5. With the front glass open, apply power to the fixture and run at 100% for approximately 2 minutes to evaporate moisture, then isolate the fixture from power.
6. Check instructions on sachet.
7. Remove a new anti-humidity sachet from its sealed aluminum bag and fasten it to the effects module with a cable tie as shown in Figure 2. Make sure that it will not touch the rotating gobo wheel or other moving parts.

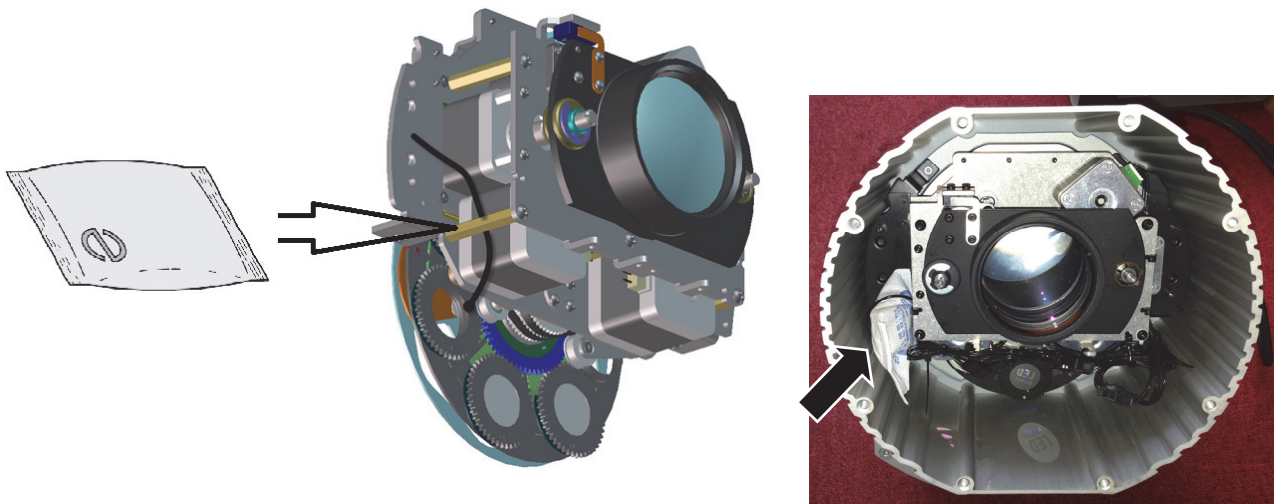


Figure 2. Fastening an anti-humidity sachet to the effects module

8. As soon as possible, and within 20 minutes maximum, reinstall the front cover seal and front cover, cross-tightening the front cover screws gradually to a torque of 8 Nm.
9. See Figure 3. Check the grey plastic anti-humidity valve (arrowed) on the rear cover near the cable entry. Replace if not in perfect condition. Tighten replacement valves to a torque of 0.8 Nm.
10. If you are not carrying out any more work on the fixture, you can reapply power.

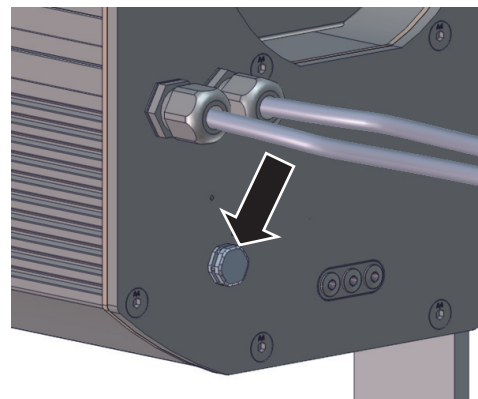


Figure 3. Anti-humidity valve