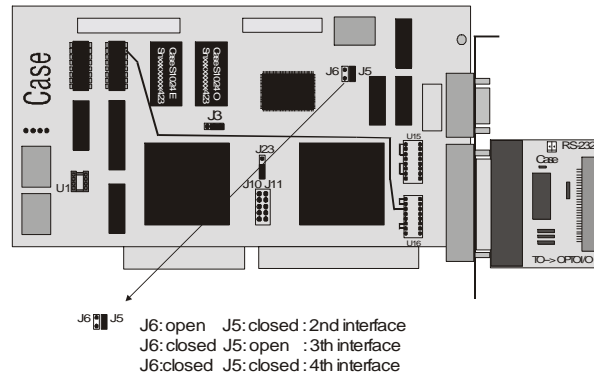


Martin Case 1024 channel interface

Features:

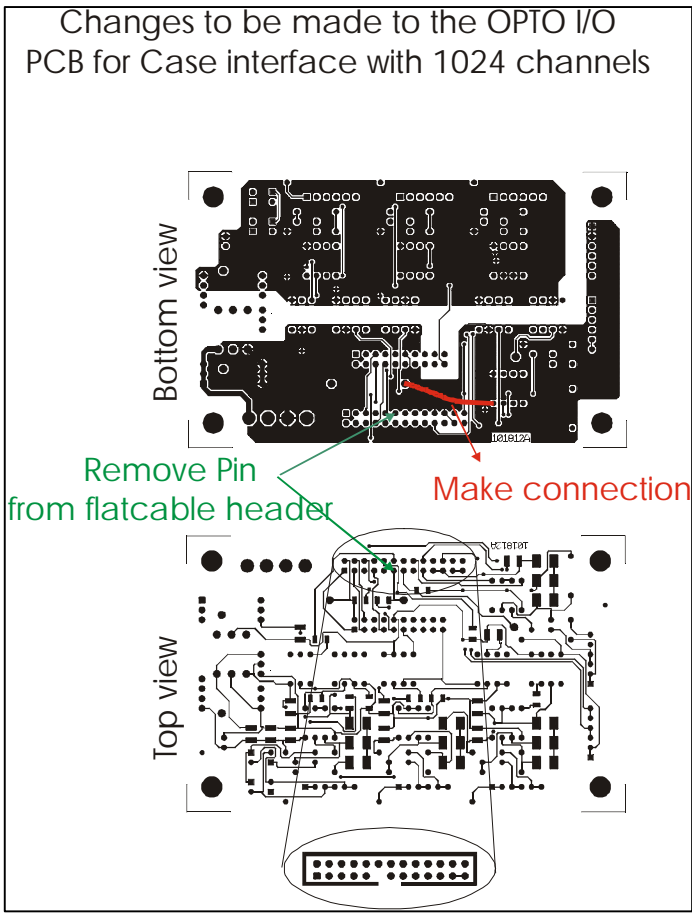
- 2 DMX 512 outputs
- 2 DMX 512 inputs (only for Matrix controller)
- Martin Fixture upload

Warning: This interface **can not replace the master interface**. It should be used as 2nd or 3th interface. **The master interface in a Martin Case controller is always a 512 channel version**. The 1024 channel version does not control the frontpanel electronics.



This interface should be used together with:

- **Logicase program version 7.3 or higher**
- **Modified output PCB** (see drawing below).



Connector DMX-512 out = DMX out 1

Connector Martin I/O = DMX out 2