

THRILL Compact PAR 64 LED



Safety and Installation Guide



WARNING!
Read the safety precautions in this guide before installing or using this product.

Introduction

The THRILL Compact PAR 64 LED is a compact color-mixing lighting fixture with 5 long-life six-color LED emitters. It provides strobe effects, full-range dimming, and full 0-100% control of its red, green, blue, white, amber, and UV light. The lightweight construction and flexible control options make it ideal for mobile DJs and small venues.

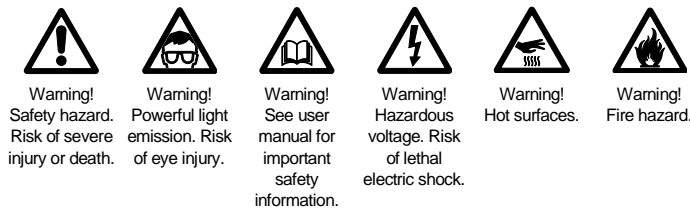
It is supplied with this guide, a user guide, power cables, a remote control, and a multi-function bracket for attachment of a suitable rigging clamp (not included), or use as a floor stand.

Before installing and using the fixture:

1. Read the safety information.
2. Unpack the fixture and ensure that there is no transportation damage. Do not attempt to operate a damaged fixture.
3. Ensure that your AC voltage and frequency match the power requirements of the fixture.
4. Check the Martin Professional website at www.martin.com for the most recent product documentation and technical information. Martin document revisions are identified by the revision letter below the legal notices.

Safety information

The following symbols identify important safety information:



This lighting fixture presents risks of severe injury or death due to fire hazards, electric shock and falls. It is Exempt Group (RG 0) per EN 62471, where no optical hazard is considered reasonably foreseeable, even for continuous, unrestricted use.

Install, operate and service this product only as directed, or you may create a safety hazard or cause damage that is not covered by product warranties.



Follow the safety precautions below and observe all warnings on the product. Follow the instructions and observe all warnings in the product's user guide. Keep this information for future reference.

For the latest user documentation and other information about this and all Martin products, visit the Martin website at <http://www.martin.com>.

Respect all locally applicable laws, codes and regulations when installing, operating or servicing the product.

Protection from electric shock



Do not expose the product to water or moisture. Disconnect the product from AC power before carrying out installation or maintenance and when the product is not in use.

Ensure that the product is electrically connected to ground (earth).

Use only a source of AC power that complies with local building and electrical codes and has both overload and ground-fault (earth-fault) protection.

Socket outlets or external power switches used to supply the product with power must be located near the product and easily accessible so that it can easily be disconnected from power.

Replace blown fuses with ones of the specified type and rating.

Isolate the product from power immediately if the power plug or any seal, cover, cable, or other component is damaged, defective, deformed, wet or showing signs of overheating. Do not reapply power until the problem is corrected.

Before connecting the product to power, check that all power distribution equipment and cables are undamaged and rated for the electrical requirements of all connected products.

The maximum current through the MAINS OUT socket is of 3 A. Do not use the MAINS OUT socket to connect power to more than:

- Six (6) additional Compact PAR 64 LED fixtures at 100-120 V, or
- Ten (10) additional Compact PAR 64 LED fixtures at 200-240 V.

Protection from burns and fire



Do not operate the fixture if the ambient temperature (Ta) exceeds 40° C (104° F).



The surface of the product casing can reach up to 45° C (113° F) after 5 minutes of operation and during a steady on state. Avoid contact by persons and materials. Allow the fixture to cool for at least 10 minutes before handling.

Keep flammable materials well away from the fixture. Keep all combustible materials (e.g. fabric, wood, paper) at least 100 mm (4 in.) away from the fixture.

Ensure that there is free and unobstructed airflow around the fixture. Provide a minimum clearance of 100 mm (4 in.) around fans and air vents.

Do not illuminate surfaces within 200 mm (8 in.) of the fixture.

Do not attempt to bypass thermostatic switches or fuses.

Do not stick filters, masks or other materials onto any optical component.

The fixture's lenses can focus the sun's rays inside the fixture, creating a risk of fire and damage. Do not expose the front of the fixture to sunlight or any other bright light source.

Protection from eye injury



Lighting fixtures emit possibly hazardous radiation. Do not look at an operating lamp. Eye injury may result.

To minimize the risk of eye injury or irritation, disconnect lighting fixtures from power at all times when not in use, and provide well-lit conditions to reduce the pupil diameter of anyone working on or near them.

Do not look at output from lighting fixtures with magnifiers, telescopes, binoculars or similar optical instruments that may concentrate the light.

Ensure that persons are not looking directly into a lighting fixture when it lights up suddenly. This can happen when power is applied, when the fixture receives a remote control signal, or when certain control menu items are selected.

Protection from injury



Do not attempt to repair a defective product or modify the product in any way. LEDs are not user-replaceable. Refer all service to your Martin dealer or contact Martin directly for technical support through www.martin.com/contact-support.

Fasten the fixture securely to a fixed surface or structure when in use. The fixture is not portable when installed.

Ensure that any supporting structure and/or hardware used can hold at least 10 times the weight of all the devices they support and complies with locally applicable regulations.

To suspend the fixture from a rigging structure, use a suitable rigging clamp. Do not use safety cables as the primary means of support.

If the product is installed in a location where it may cause injury or damage if it falls, install as directed a secondary attachment such as a safety cable that will hold the machine if a primary attachment fails. The secondary attachment must be approved by an official body such as TÜV as a safety attachment for the weight that it secures, must comply with EN 60598-2-17 Section 17.6.6 or BGV C1 / DGUV 17, and must be capable of bearing a static suspended load at least six times the weight of the fixture (or more if required by locally applicable regulations). Check that all external covers and rigging hardware are securely fastened.

Block access below the work area and work from a stable platform whenever installing, servicing or moving the fixture.

Do not operate the fixture with missing or damaged covers, shields or any optical component.

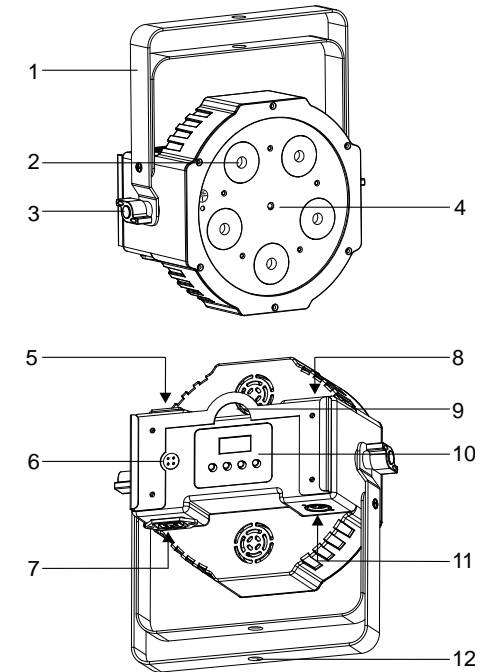
In the event of an operating problem, stop using the fixture immediately and disconnect it from power. Do not attempt to use a fixture that is obviously damaged.

Do not modify the fixture in any way not described in this manual or install other than genuine Martin parts.

Flashing light can trigger epileptic seizures in flicker-sensitive persons. Provide notice when strobe lighting is in use at the entrance(s) to the venue. Mount flashing lights as high above head height as practicable and avoid extended periods of continuous flashing, particularly at 10 to 20 flashes per second. Stop lights from flashing immediately if a person has an epileptic seizure.

The remote control supplied with this product contains a coin/button/cell battery. If the coin/button/cell battery is swallowed

it can cause severe internal burns in just two hours and lead to death. Keep new and used coin/button/cell batteries away from children and animals. If the coin/button/cell battery compartment does not close securely, stop using the product and keep away from children and animals. If you think coin/button/cell batteries have been swallowed or placed inside of the body seek



immediate medical attention.

1	Multi-function bracket	7	AC Mains out
2	LED emitters	8	DMX In
3	Hand wheel	9	Secondary attachment point
4	IR receiver	10	Control panel
5	AC Mains in	11	DMX Out
6	Microphone	12	Clamp attachment point

Fixture overview

Physical installation



The THRILL Compact PAR 64 LED is designed for indoor use only and must be used in a dry location with adequate ventilation.

Fasten the fixture to a secure structure or surface. Do not stand it on a surface or leave it where it can be moved or fall over. If you install the fixture in a location where it may cause injury or damage if it falls, secure it as directed using a securely anchored safety cable that will hold the fixture if the primary fastening method fails.

Fastening the fixture to a flat surface

The fixture can be fastened to a hard, fixed, flat surface. Ensure that the surface and all fasteners used can support at least 10 times the weight of all fixtures and equipment they support and comply with locally applicable regulations.

Fasten the fixture securely. Do not stand it on a surface or leave it where it can be moved or fall over. To use the bracket as a floor stand:

1. Loosen the hand wheels on both sides of the bracket.
2. Unfold the bracket as required, taking caution not to over extend the bracket.
3. Position the fixture and adjust the tilt angle.
4. Tighten both hand wheels. Do not over-tighten.

Mounting the fixture on a truss

The fixture can be clamped to a truss or similar rigging structure. It must be suspended vertically, hanging downwards only. Use a suitable rigging clamp such as a super lightweight half-coupler clamp (shown to right) fastened to the included clamp attachment bracket.

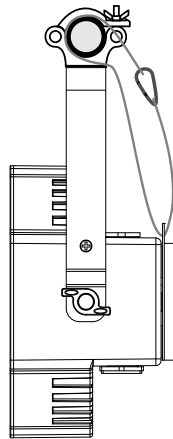


To clamp the fixture to a truss:

1. Check that the rigging structure can support at least 10 times the weight of all fixtures and equipment to be installed on it and complies with locally applicable regulations.
2. Block access under the work area.
3. Fold the two parts of the multi-function bracket together.
4. Bolt a rigging clamp securely to the supplied clamp-attachment bracket. The bolt used must be M12, grade 8.8 steel minimum, and fastened with a self-locking nut or wing-nut/self-locking washer combination
5. Working from a stable platform, hang the fixture vertically on the truss and fasten the rigging clamp to the truss.
6. Secure the fixture with a safety cable as directed.
7. Tilt the fixture as desired and tighten the hand wheels.

Securing with a safety cable

Secure the THRILL Compact PAR 64 LED with a safety cable or other secondary attachment that is approved for the weight of the fixture to prevent it from falling if the primary attachment fails. Loop the safety cable through the secondary attachment point on the rear mounting plate and around a secure anchoring point.



Do not loop the safety cable around the mounting bracket only, as this will leave the fixture unsecured if it separates from the bracket.

AC power



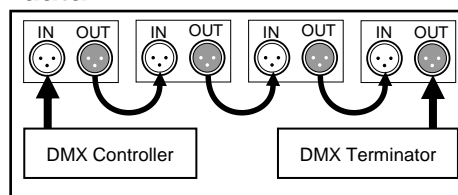
For protection from electric shock, the fixture must be grounded (earthed). The power distribution circuit must be equipped with a fuse or circuit breaker and ground-fault (earth-fault) protection.

The fixture has an auto-ranging power supply that accepts 100-240 V AC mains power at 50/60 Hz. Do not apply AC mains power at any other voltage or frequency. To prevent damage, do not use an external dimming system to supply power.

If a suitable IEC extension cord is obtained, additional fixtures may be connected to the MAINS OUT socket, but do not exceed a current load of 3 A. If supplying power to additional Compact PAR 64 LED fixtures, you may connect up to:

- Six (6) additional Compact PAR 64 LED fixtures at 100-120 V, or
- Ten (10) additional Compact PAR 64 LED fixtures at 200-240 V.

Control data link



The DMX IN socket is for connection to a DMX-512 controller. The DMX OUT socket may be used to connect a total of up to 32 fixtures in a daisy chain for DMX operation or synchronized master/slave operation.

Use 3-pin XLR DMX data cable. Microphone cable is designed for audio signals and is unreliable for data transmission.

Terminate the data link by installing a termination plug in the output of the last fixture. The termination plug "soaks up" the control signal so it does not reflect and cause interference.

Maintenance



Do not open the housing, there are no user serviceable parts inside the fixture.

Disconnect the fixture from mains power before performing maintenance.

The user may carry out the maintenance operations described below. Do not attempt to repair a defective fixture. Refer all service to your Martin dealer or contact Martin directly for technical support through www.martin.com/contact-support.

Cleaning

The Compact PAR 64 LED must be cleaned periodically. Excessive dust, effect fluid, and particle buildup degrades performance, causes overheating and will damage the fixture. Damage caused by inadequate cleaning is not covered by the product warranty.

The cleaning schedule will vary greatly depending on the operating environment. Inspect the fixture once a month and clean if necessary. Inspect every 1-2 weeks if the fixture is frequently used with effects machines, in locations with heavy cigarette smoke, operated or stored in a dusty location, or installed near an air duct. This procedure will allow you to assess cleaning requirements in your particular situation.

Keep the fixture dry and use gentle pressure when cleaning. Work in a clean, well-lit area. Do not use any cleanser that contains solvents or abrasives, as these can cause surface damage.

To clean the fixture:

1. Disconnect the fixture from power and allow it to cool.
2. Disconnect the fixture from power and allow it to cool.
3. Clean the casing and lenses by wiping gently with a soft, clean microfiber cloth. Remove stuck particles with an unscented tissue or cotton swab moistened with distilled water. Do not rub hard.

Replacing the primary fuse

Replace fuse with same size and specified rating only.

If the fixture is completely dead, the primary fuse may have blown and it may be necessary to install a new fuse. A spare fuse is located in the fuse holder.

Specifications

Physical

Dimensions (L x W x H) 262 x 127 x 266 mm (10.3 x 5 x 10.4 in.)
 Maximum standing footprint 266 x 204 mm (10.4 x 8 in.)
 Weight.....2.1 kg (4.3 lbs.)

Dynamic Effects

Color mixingRGBWAUV
 Color selection36 color presets
 Electronic dimming0-100%
 Strobe and pulseVariable speed and action, random strobe
 Electronic 'shutter' effectInstant open and blackout

Control and Programming

Control optionsDMX, stand-alone, IR remote control
 DMX channels6/9
 Stand-alone triggersSound-trigger, auto-run
 InterfaceControl panel with LED display
 DMX complianceANSI E1.11 - USITT DMX512-A

Optics

Light source..... 5 x 12 W RGBWAUV LEDs
 Minimum LED lifetime..... 30 000 hours (to >70% luminous output)*

Beam angle.....18°

*Figure obtained under manufacturer's test conditions

Construction

Color Black
 Housing..... High impact flame retardant thermoplastic
 Ingress protection..... IP 20

Installation

Mounting Adjustable bracket, surface or truss mount
 Mounting points..... Bracket for single rigging clamp, M12 or 1/2"
 Orientation Any
 Location Dry locations only

Connections

AC power in/thruIEC male inlet/female connector, C14/C13
 DMX data in/thru 3-pin XLR

Electrical

AC power100-240 V nominal, 50/60 Hz
 Fuse.....F 3AL, 250 V
 Total typical power consumption50 W
 Maximum AC Mains Out current.....3 A

Typical power and current

110 V, 60 Hz 50 W, 0.5 A*
 230 V, 50 Hz 50 W, 0.3 A*

*Measurements made at nominal voltage with all LEDs at full intensity. Allow for a deviation of +/- 10%.

Thermal

Cooling..... Forced air, temperature regulated
 Maximum ambient temperature (T_a max.).....40° C (104° F)
 Minimum ambient temperature (T_a min) 0° C (32° F)
 Total heat dissipation 170 BTU/hr.*

*Calculated, +/- 10%, at full intensity, full white

Approvals

EU safety EN 60598-1, EN 60598-2-17, EN 62471, EN 62493
 EU EMC..... EN 55015, EN 61000-3-2, EN 61000-3-3, EN 61547
 US EMC (pending) CFR Title 47 Part 15 Class A
 Canadian EMC (pending)..... ICES-003 Class A
 Australia/NZ (pending) RCM



Included Items

Power cable, EU, IEC C13 female, molded Schuko, 1.5 m (4.9 ft.)
 Power cable, US, IEC C13 female, molded NEMA 5-15P, 1.5 m (4.9 ft.)
 Multi-function bracket and hardware
 IR remote control, grey, 16-button
 Battery for remote control, 3 V, CR2025 lithium

Accessories

Super lightweight half-coupler, blackP/N 91602018
 Safety cable, SWL 60 kg (132 lb.), BGV C1/ DGUV 17, Black
P/N 91604006

Related Items

Martin® M-TouchP/N 90737040
 Martin® M-PlayP/N 90737030

Ordering Information

THRILL Compact PAR 64 LEDP/N 90280116

Specifications subject to change without notice. For latest product specifications, see www.martin.com

FCC Compliance

This device complies with Part 15, Class B, of the FCC Rules. Operation is subject to the following two conditions: (1) This device may not cause harmful interference, and (2) this device must accept any interference received, including interference that may cause undesired operation

Canadian Interference-Causing Equipment Regulations - Règlement sur le Matériel Brouilleur du Canada

This Class B digital apparatus meets all requirements of the Canadian Interference-Causing Equipment Regulations.

Cet appareil numérique de la classe B respecte toutes les exigences du Règlement sur le Matériel Brouilleur du Canada.

Disposing of this product



THRILL by Martin® products are supplied in compliance with Directive 2012/19/EC of the European Parliament and of the Council of the European Union on WEEE (Waste Electrical and Electronic Equipment), where applicable.

Help preserve the environment! Ensure that this product is recycled at the end of its life. Your supplier can give details of local arrangements for the disposal of THRILL by Martin® products.

Information subject to change without notice. HARMAN Professional Inc. disclaims liability for any injury, damage, direct or indirect loss, consequential or economic loss or any other loss occasioned by the use of, inability to use or reliance on the information contained in this document.

©2017 HARMAN Professional Inc. All rights reserved. Martin® is a trademark of HARMAN Professional Inc. registered in the United States and/or other countries. Features, specifications, and appearance are subject to change without notice.

HARMAN Professional Inc.
 8500 Balboa Boulevard • Northridge, CA, USA • 91329
www.martin.com

Document revision: B